

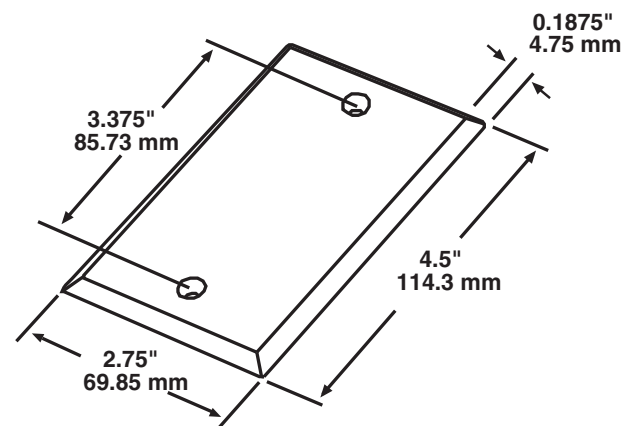
Installation Guide

Mounting and Wiring

The STE-1430 is a blank, stainless-steel wall plate that incorporates a precision sensor used to monitor room temperatures where additional security is required (e.g., against vandalism).

It is designed to be mounted directly to a single-gang electrical box. Insulating foam is adhered to the back of the wall plate to provide a thermal barrier from internal wall temperatures. The STE-1430 should be installed where it can sense the average room temperature and be unaffected by direct sunlight and drafts.

1. Feed the cable wires through the conduit or hole opening.
2. Make connections to the two sensor wire leads with either butt-splices or solder. (Using wire nuts is **not** recommended.) The two-wire sensor is not polarity sensitive.
3. Plug the conduit with plumber's putty, painter's putty, caulk, or other sealant to prevent air infiltration.
4. Attach the sensor panel to the electrical box using the two supplied #6 screws.

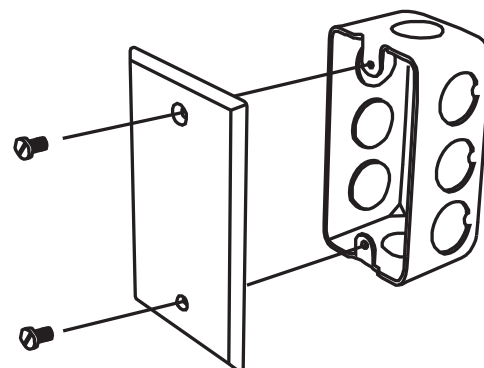


Configuration

For controller configuration, see the [Type III Sensors Applications Guide](#) on the KMC web site.

Specifications

Sensor	Type III thermistor, 10K ohm @ 77° F (25° C)
Temperature Limits	-4 to 221° F (-20 to 105° C)
Wiring	22 AWG wire leads
Dimensions	2-3/4 x 4-1/2 inches (70 x 114 mm)
Finish	Brushed stainless steel

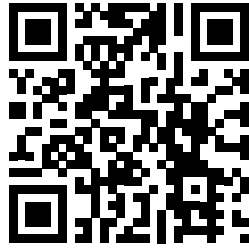


Maintenance

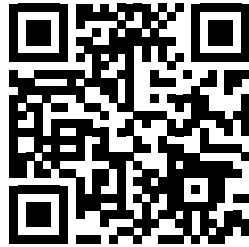
No routine maintenance is required. Each component is designed for dependable, long-term reliability and performance. Careful installation will also ensure long term reliability and performance.

More Information

For **additional information**, see the [STE-1400 Series Data Sheet](#) on the KMC web site.



For **troubleshooting, controller configuration, and other information**, see the [Type III Sensors Applications Guide](#) on the KMC web site.



Important Notices

The KMC logo and KMC Controls are registered trademarks of KMC Controls, Inc.

All rights reserved. No part of this publication may be reproduced, transmitted, transcribed, stored in a retrieval system, or translated into any language in any form by any means without the written permission of KMC Controls, Inc.

The material in this document is for information purposes only. **The contents and the product it describes are subject to change without notice.** KMC Controls, Inc. makes no representations or warranties with respect to this document. In no event shall KMC Controls, Inc. be liable for any damages, direct or incidental, arising out of or related to the use of this document.

KMC Controls, Inc.
19476 Industrial Drive
New Paris, IN 46553
574.831.5250
www.kmcccontrols.com
info@kmcccontrols.com